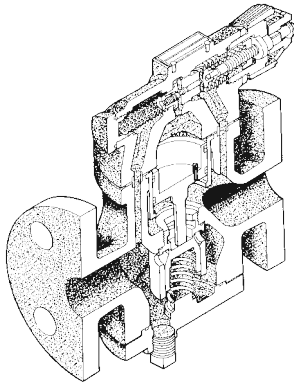
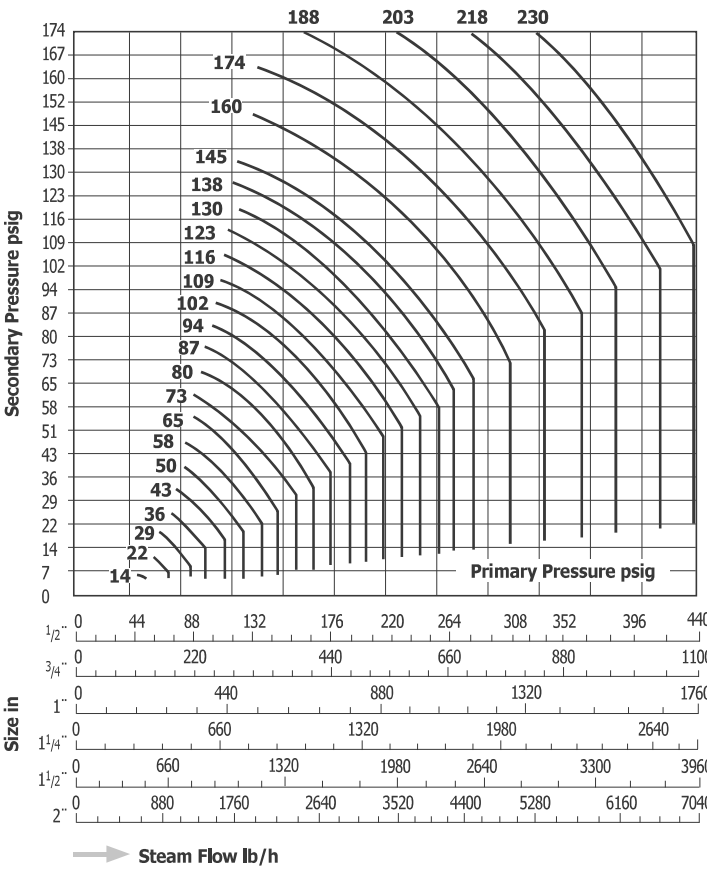
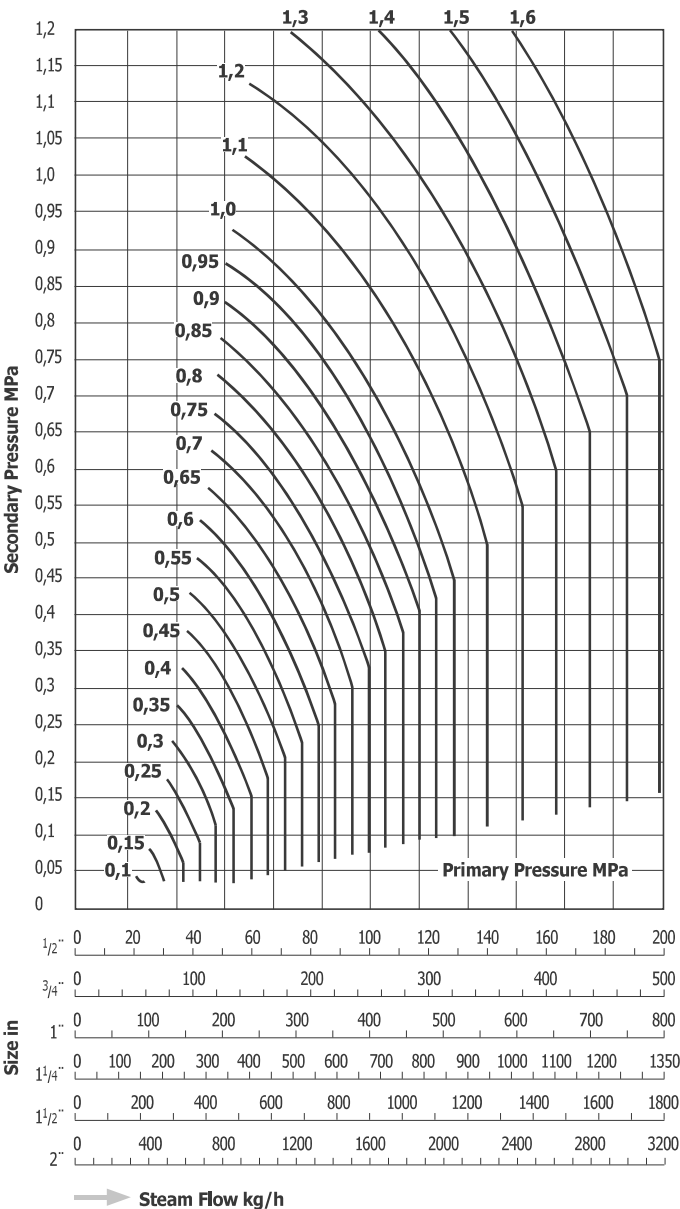


# RE10N

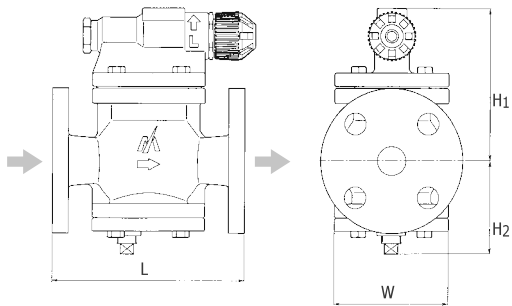


Body Material: Ductile Cast Iron FCD450

### Capacity Charts RE10N



### Dimensions RE10N



Model	Connection	Size (in)	Operating Pressure (Primary)		Secondary Pressure		Max. Red. Pressure Ratio	Max. Operating Temperature		Dimensions (mm)				Dimensions (in)				Weight		Values	
			MPa	psig	MPa	psig		°C	°F	L	H1	H2	W	L	H1	H2	W	kg	lb	Cv	Kvs
<b>RE10N</b>	Flanged JIS, ASME, DIN	1/2"	0,1 - 1,6	14.5 - 230	0,03 - 1,2	4.4 - 174	20 : 1	220	428	160	133	80	100	6.3	5.2	3.1	3.9	7,0	15.4	1,0	0,9
		170											6.7				7,4	16.3	2,5	2,2	
		200											7.9	6.1	4.1	5.1	8,1	17.8	4,0	3,4	
																	14,1	31.0	6,5	5,6	
		220											8.7				14,3	31.5	9,0	7,7	
		2"														15,5	34.1	16,0	13,8		