

STEEL BOX PRESSURE GAUGE WITH DRY DIAL Ø 100



ISO 9001 : 2015



Size : Diameter 100
Ends : Male BSP
Min Temperature : + 0°C (Ambient -20°C)
Max Temperature : + 150°C(Ambient +60°C)
Pressure : From -1 to 40 Bars
Specifications : Steel box
Brass mechanism
Dry dial
Instrument glass

Materials : Steel box

STEEL BOX PRESSURE GAUGE WITH DRY DIAL Ø 100

SPECIFICATIONS :

- Steel box
- Brass mechanism
- Dry dial
- Instrument glass
- 1 Class
- Bottom connection BSP threaded
- With vent security

USE :

- Not for viscous or crystallizing liquid
- Compressed air, heating, ventilation, air conditioning
- Steam : 100°C maxi
- Min and max Temperature Ts : 0°C to +150°C (ambience -20°C à + 60°C)

RANGE :

- Steel pressure gauge with dry dial Ø 100 with bottom BSP 1/2" male connection, range from -1/+1 to 0/40 bars **Ref. 1619**

ACCESSORIES :



- Steel curl PN25 Male / Male PN25 BSP
 - DN 1/2" **Ref. 9880201**

STEEL BOX PRESSURE GAUGE WITH DRY DIAL Ø 100
GRADUATIONS :

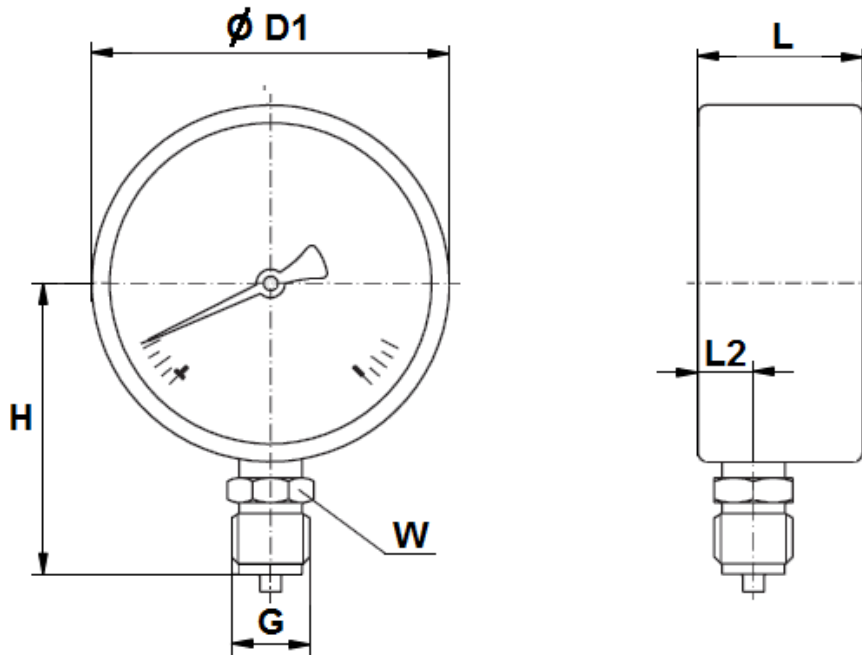
Range (bar)	Graduation (bar)
-1 / +1	0,05
0 / 1,6	0.02
0 / 2,5	0.05
0 / 4	0,1
0 / 6	0,1
0 / 10	0,2
0 / 16	0,2
0 / 25	0,5
0 / 40	1

MATERIALS :

DESIGNATION	MATERIALS
Box	Black steel
Fitting	Brass
Mechnanism	Brass
Dial	Duralium
Glass	Instrument glass
Needle	Steel

STEEL BOX PRESSURE GAUGE WITH DRY DIAL Ø 100

SIZE (in mm) :



DN	100
Ø D1	100.5
H	82
G	1/2" BSP
L	36
L2	12.5
W	22
Weight (Kg)	0.350

STEEL BOX PRESSURE GAUGE WITH DRY DIAL Ø 100**STANDARDS :**

- Fabrication according to ISO 9001 : 2015
- Designing according to EN 837-1
- DIRECTIVE 2014/68/EU : Products excluded from directive (article 4, § 3)
- Threaded male BSP cylindrical ends according to ISO 228-1

ADVICE : Our opinion and our advice are not guaranteed and SFERACO shall not be liable for the consequences of damages.
The customer must check the right choice of the products with the real service conditions.