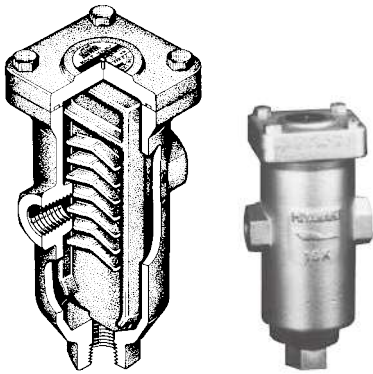


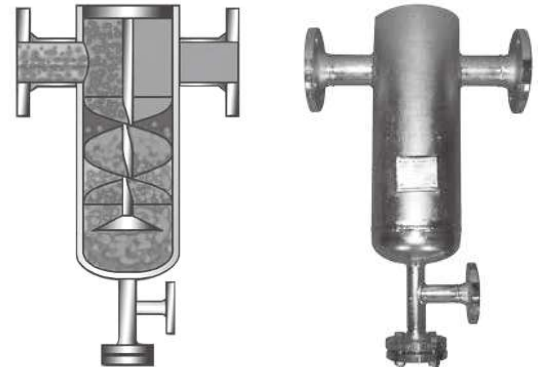
# H3



# H5



# H9XF



## Features

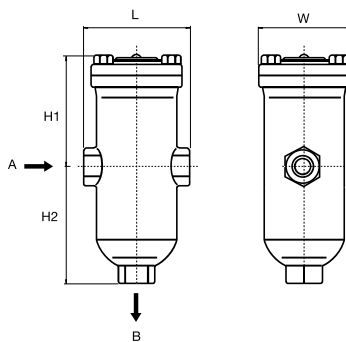
1. Separates mist and condensate from steam and air lines
2. Compact size – easy installation together with Pressure Reducing Valves and Steam Traps
3. Very low pressure loss (0,002 MPa)

## Suitable for

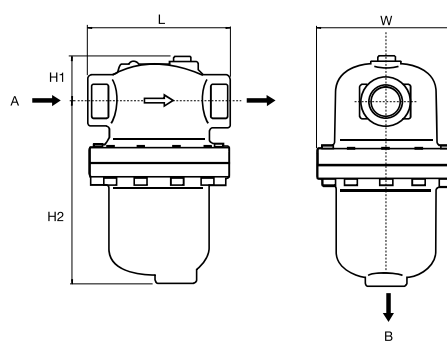
All steam and air lines

## Dimensions

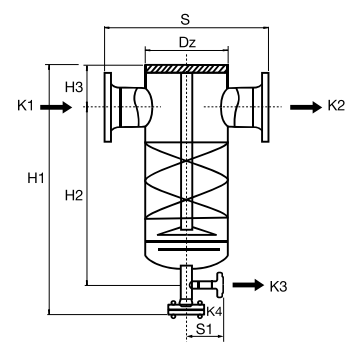
### H3



### H5



### H9XF



Model	Connections	Size (in)		Max. Operating Pressure		Max. Operating Temperature		Dimensions (mm)				Dimensions (in)				Body Material	Weight						
		A	B	MPa	psig	°C	°F	L	H <sub>1</sub>	H <sub>2</sub>	W	L	H <sub>1</sub>	H <sub>2</sub>	W		kg	lb					
<b>H3</b>	Screwed Rc, NPT	½"	½"	1,6	230	220	428	100	93	120	86	3.9	3.7	4.7	3.4	Ductile Cast Iron FCD450	3,6	7.9					
		¾"	½"					130	120	158	108	5.1	4.7	6.2	4.3		6,7	14.7					
		1"	½"					160	130	180	128	6.3	5.1	7.1	5.0		10,1	22.2					
<b>H5</b>	Screwed Rc, NPT	½"	¾"	2,0	290	220	428	150	50	193	146	5.9	2.0	7.6	5.7	Ductile Cast Iron FCD450	7,1	15.6					
		¾"						190	69	213	175	7.5	2.7	8.4	6.9		7,3	16.1					
		1"						219	82	260	199	8.6	3.2	10.2	7.8		12,5	27.5					
		1¼"	1"																				
		1½"																					
2"																							

Model	Connection	Size (DN)	PN	Inlet	Outlet	Condensate Outlet	Dirt Pocket	Dimensions (mm)					Dimensions (in)					Body Material	Weight			
				K <sub>1</sub> (DN)	K <sub>2</sub> (DN)	K <sub>3</sub> (DN)	K <sub>4</sub> (DN)	Dz	H <sub>1</sub>	H <sub>2</sub>	H <sub>3</sub>	S	S <sub>1</sub>	Dz	H <sub>1</sub>	H <sub>2</sub>	H <sub>3</sub>		S	S <sub>1</sub>	kg	lb
<b>H9XF</b>	Flanged DIN, ASME	15	16	15	15	15	15	88,9	360	240	50	240	90	3.5	14.2	9.4	2.0	9.4	3.5	Steel P265 GH	6,8	14.96
		20		20	20																7,3	16.06
		25		25	25																7,8	17.16
		32		32	32																12	26.4
		40		40	40																12,5	27.5
		50		50	50																26	57.2
		65		65	65																27	59.4
		80		80	80																29	63.8
		100		100	100																61	134.2
		125		125	125																65	143.0
		150		150	150																95	209.0
200	200	200	on request																			

Other pressure ratings (PN25, PN40), connections and body materials on request.